

# West 34th Business Park



## SUT, Ltd.

West 34th Business Park

6201-6205 West 34th Street

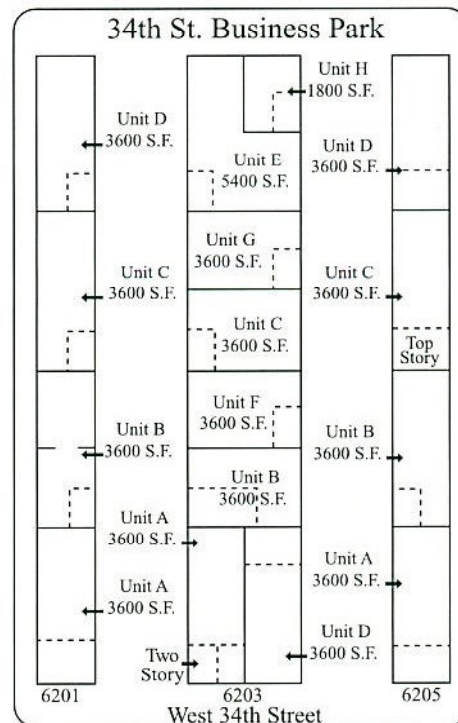
Houston, TX 77092

Property Type: Industrial/ Warehouse

Availability: Lease

Min. Lease Rate: \$0.45 Per Sq. Ft.

- Terms: 12 to 60 months
- Total Sq. Ft. - 57,400
- Eave Height: 14'
- Door Size: 12'X12'
- Electrical Svc.: 200 Amp 3 Phase
- Block Building



*West 34th Business Park is conveniently located in Northwest Houston close to U.S. Highway 290 and the West Sam Houston Tollway. Approximately 15 miles from downtown.*

## Houston Real Estate Services

1771 Upland Drive, Suite 101 Houston, Texas 77043-3513

Office: (713) 984-0199 • Fax: (713) 984-0196